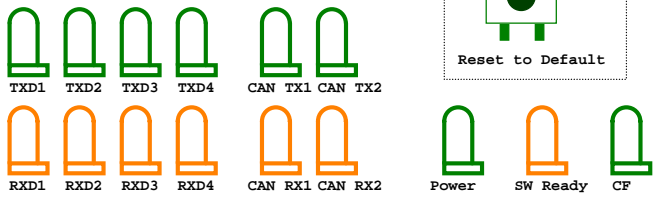
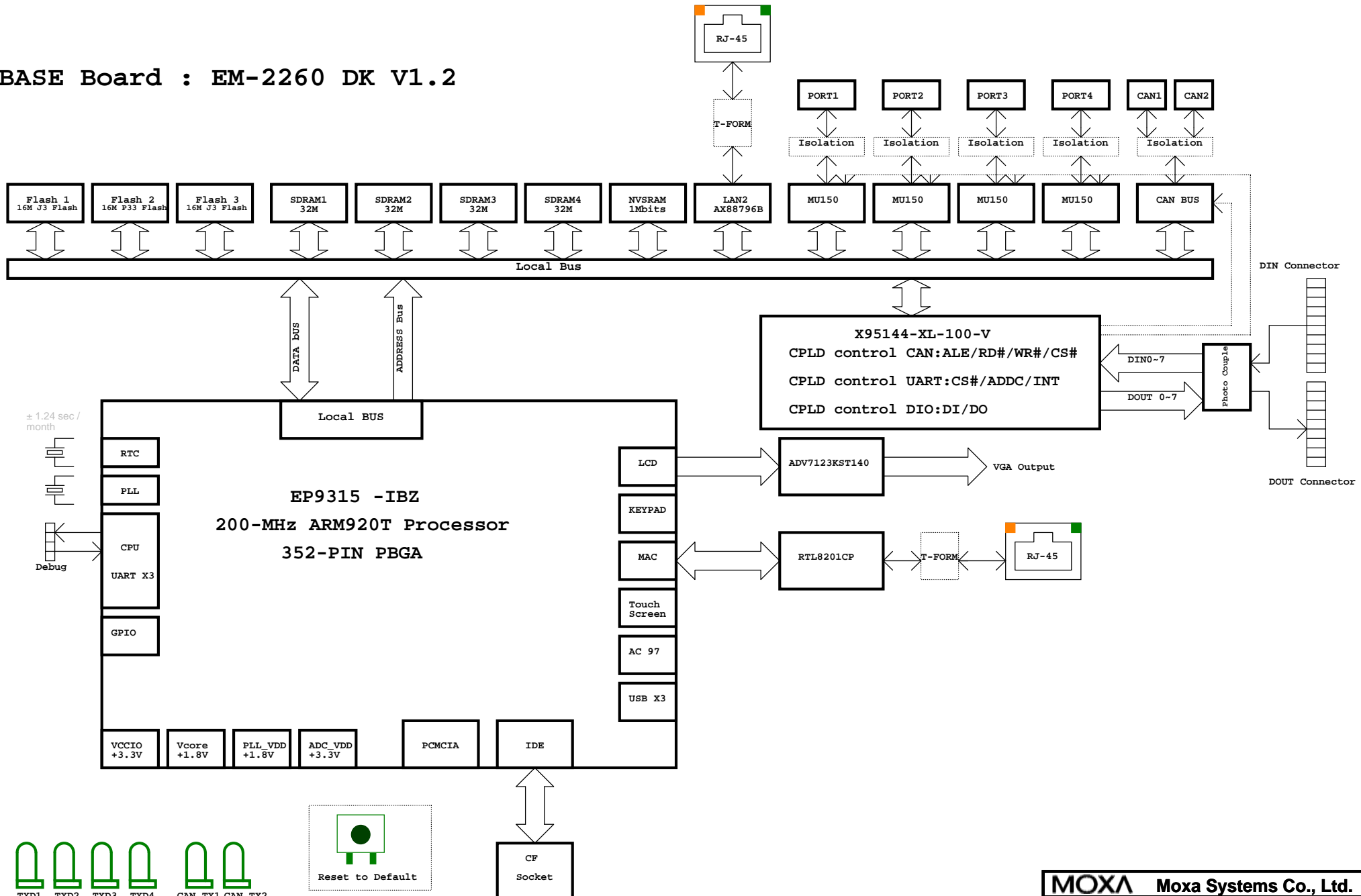
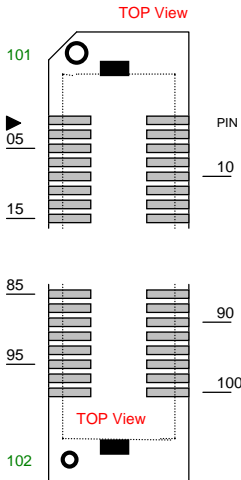


BASE Board : EM-2260 DK V1.2



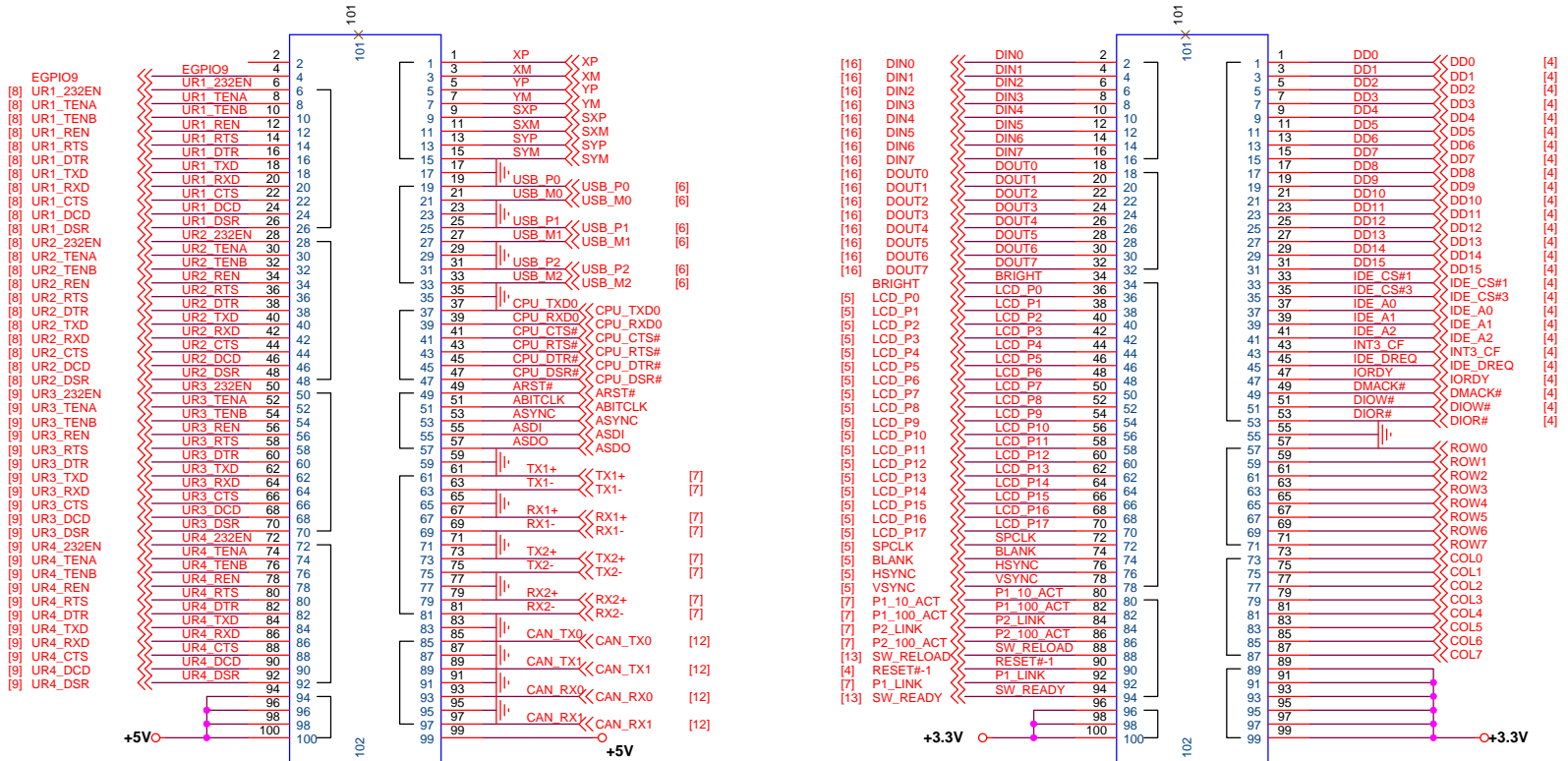
MOXA Moxa Systems Co., Ltd.	
Design Name	Schematic Function Name
	Block Diagram
PCB Part No.	品名規格
<PCB Part No>	EM-2260-DK
Department	Author
System	Abel
Version	Size
1.2	Custom
Date	Sheet
Monday, August 26, 2013	1 of 17

Connector to Base Board

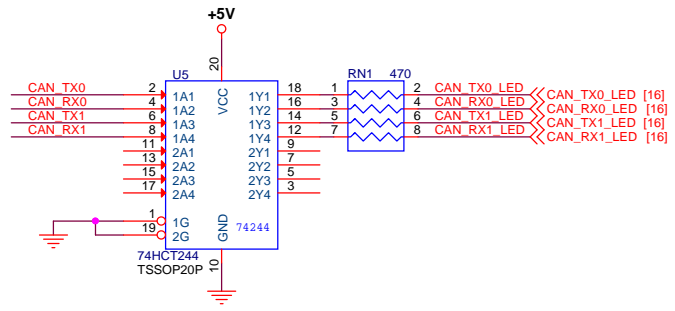
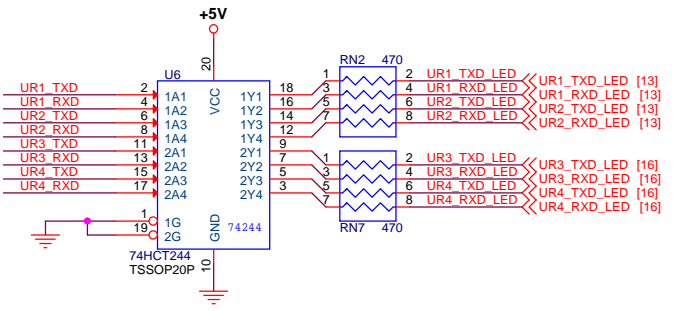


BASE BOARD

HIROSE : FX8C-100P-SV2 Header
one pin can withstand 0.4A current



Header	Receptacle	FX8C-***S-SV FX8C-***S11-SVJ	FX8C-***S-SV5 FX8C-***S11-SV5J
FX8C-***P-SV FX8C-***P11-SVJ		5mm	10mm
FX8C-***P-SV1 FX8C-***P11-SV1J		6mm	11mm
FX8C-***P-SV2 FX8C-***P11-SV2J		7mm	12mm
FX8C-***P-SV4 FX8C-***P11-SV4J		9mm	14mm
FX8C-***P-SV6 FX8C-***P11-SV6J		11mm	16mm



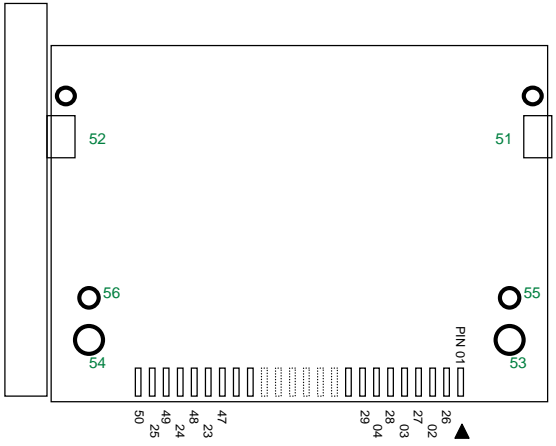
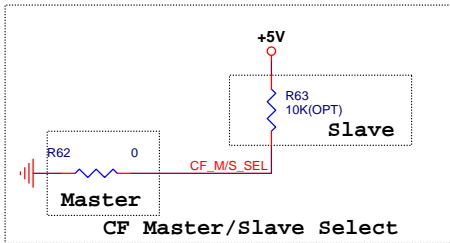
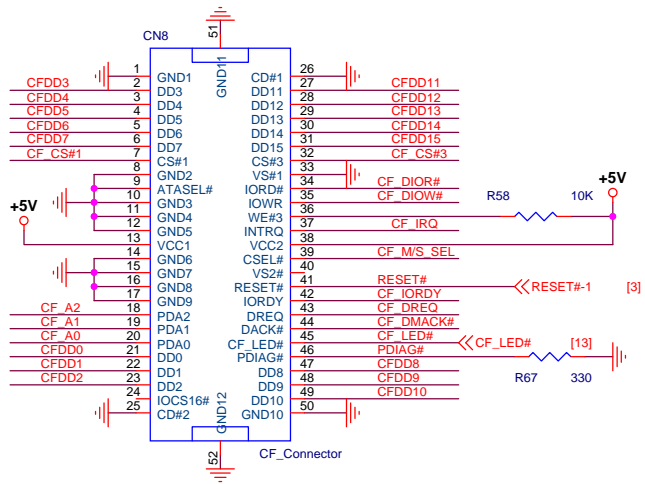
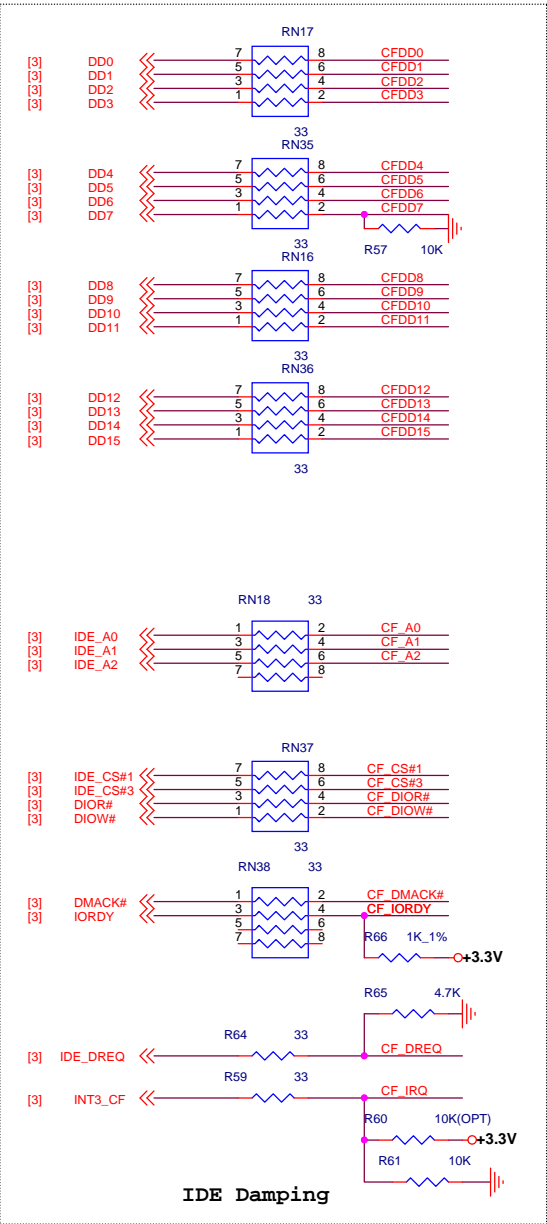
MOXA Moxa Systems Co., Ltd.

Design Name: IA26X_BASE Schematic Function Name: Connector to Base Board

PCB Part No.: 1199022601020 品名規格: EM-2260-DK

Department: System	Author: Abel	Version: V1.2	Size: Custom
Date: Thursday, July 19, 2012	Sheet: 3	of: 17	

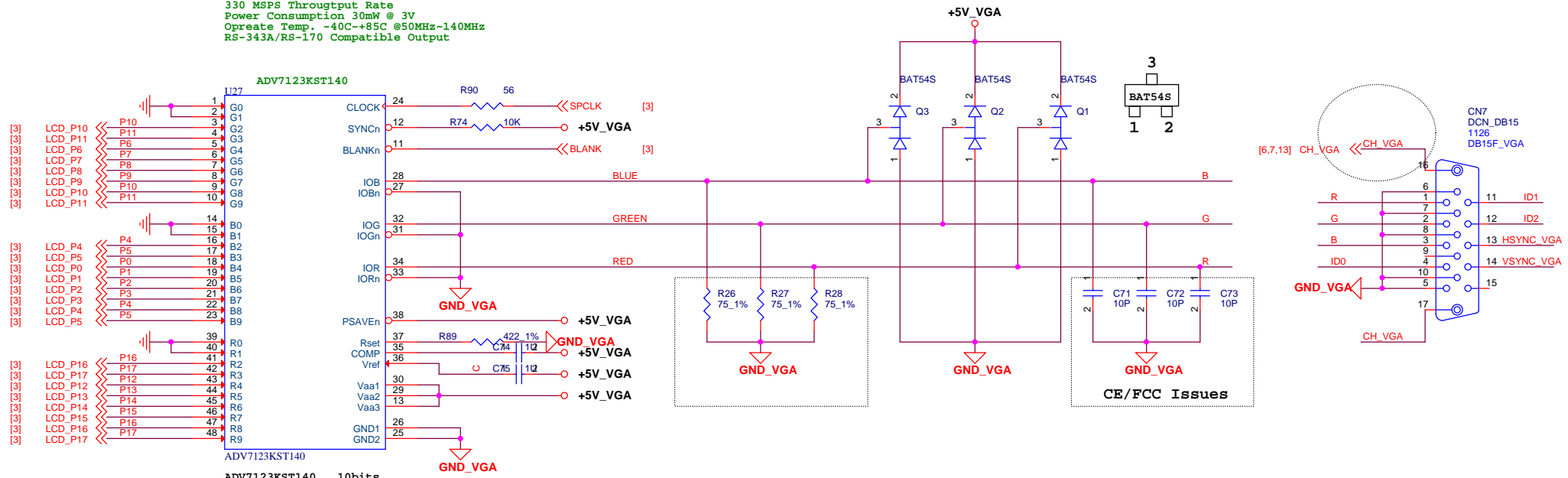
IDE Interface with Compact Flash Card



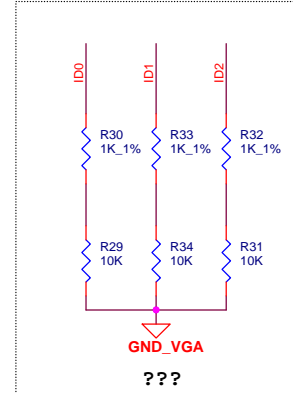
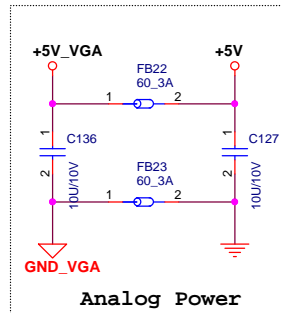
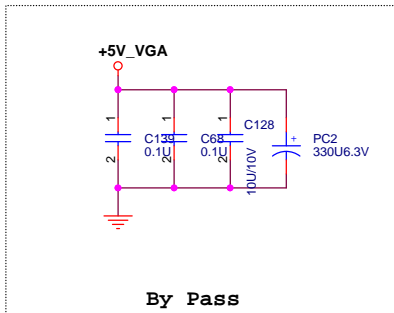
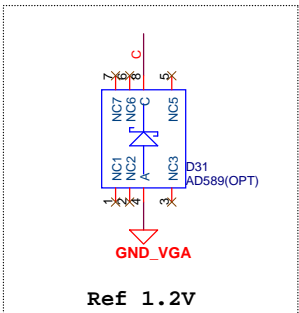
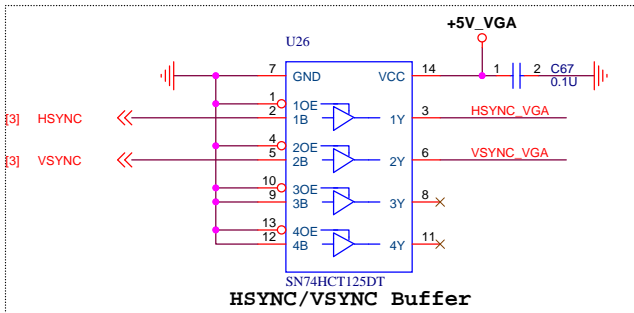
MOXA Moxa Systems Co., Ltd.		Schematic Function Name	
<Title>		IDE Interface with CF Card	
PCB Part No.		品名規格	
<PCB Part No>		EM-2260-DK	
Department	Author	Version	Size
System	Abel	1.2	Custom
Date	Monday, August 26, 2013	Sheet	4 of 17

VGA Interface

330 MSPS Throughput Rate
 Power Consumption 30mW @ 3V
 Operate Temp. -40C~+85C @50MHz~140MHz
 RS-343A/RS-170 Compatible Output

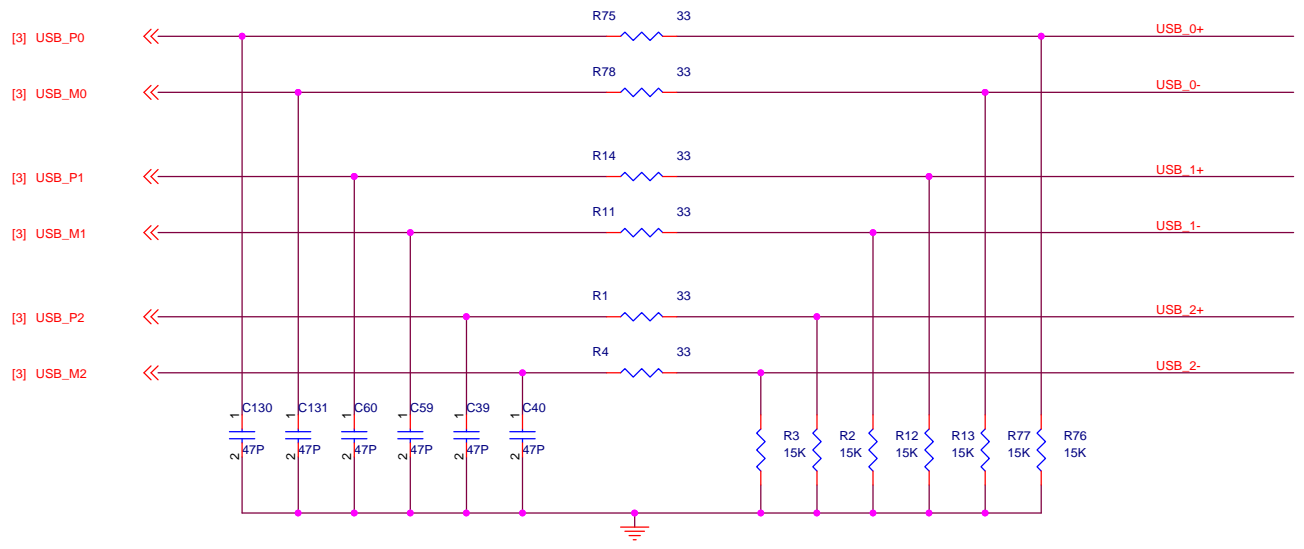


ADV7123KST140 10bits
 ADV7125KST140 8 bits

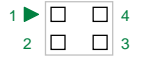


MOXA Moxa Systems Co., Ltd.			
Design Name		Schematic Function Name	
<Title>		VGA Interface	
PCB Part No.		品名規格	
<PCB Part No>		EM-2260-DK	
Department	Author	Version	Size
System	Abel	1.2	Custom
Date	Monday, August 26, 2013	Sheet	5 of 17

USB Port



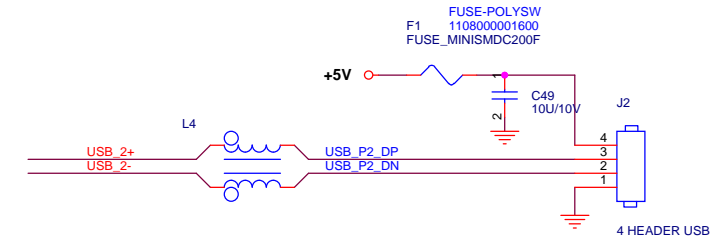
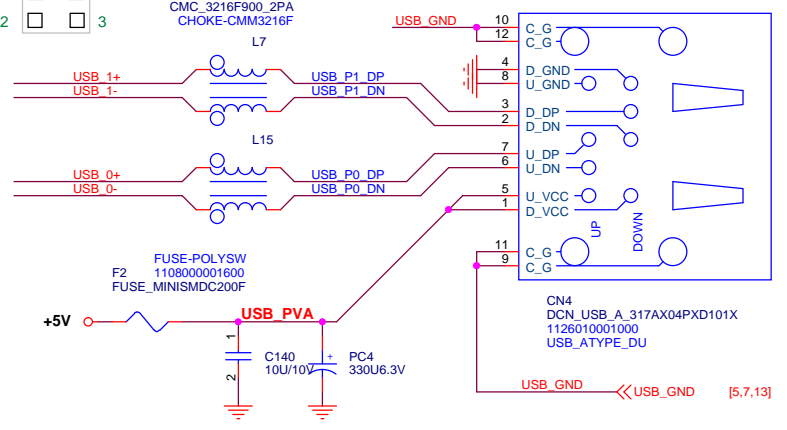
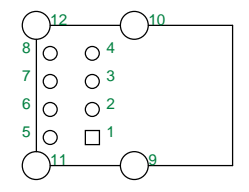
1104100070000
Common Mode Choke
PCB Foot Print



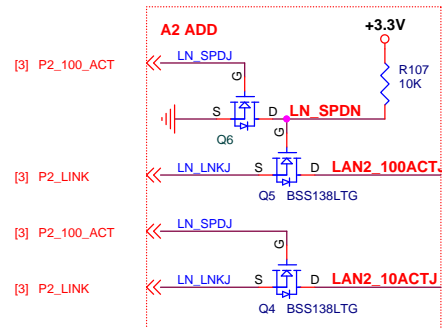
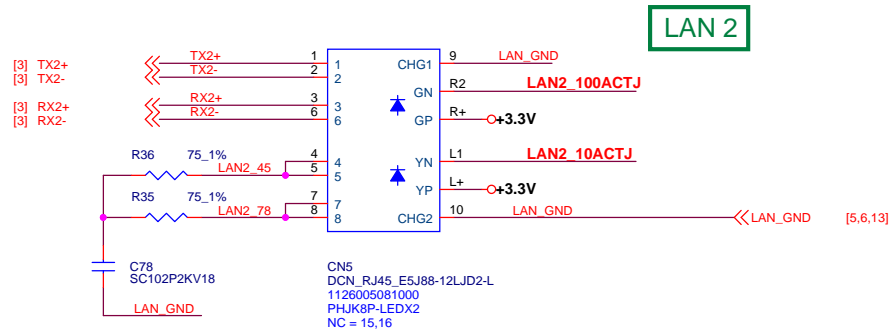
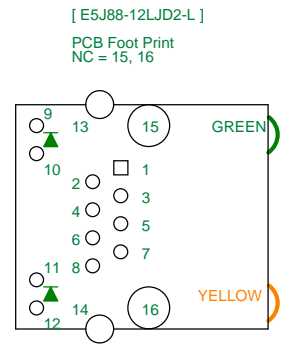
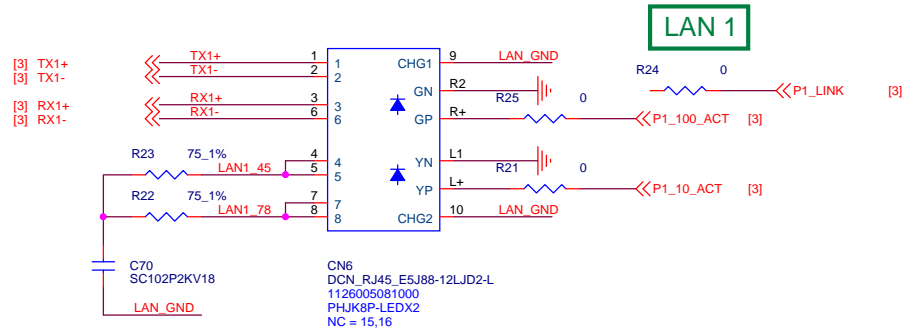
1104100070000
CMC_3216F900_2PA
CHOKE-CMM3216F

USB Port

1126010001000
PCB Foot Print

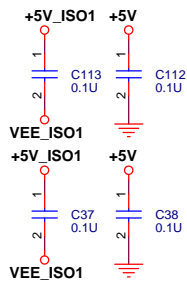
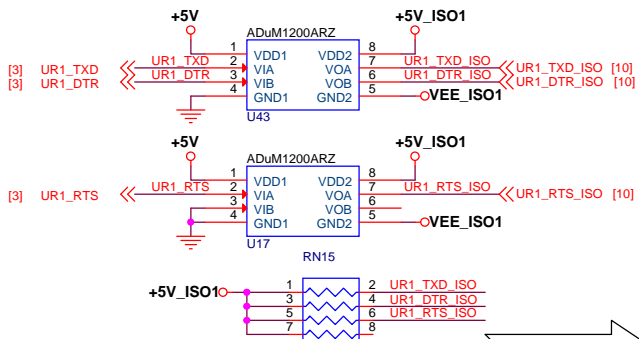
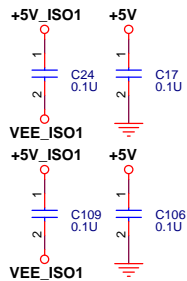
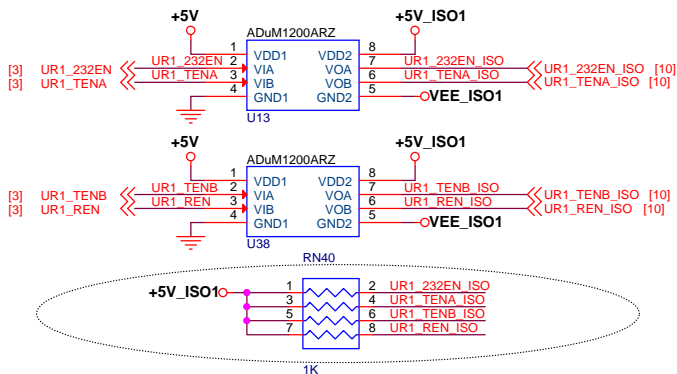


MOXA Moxa Systems Co., Ltd.		Design Name		Schematic Function Name	
<Title>		USB Port		品名規格	
PCB Part No.		<PCB Part No>		EM-2260-DK	
Department	Author	Version	Size	Custom	
System	Abel	1.2	6	of 17	
Date	Monday, August 26, 2013	Sheet	6	of 17	

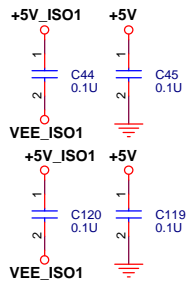
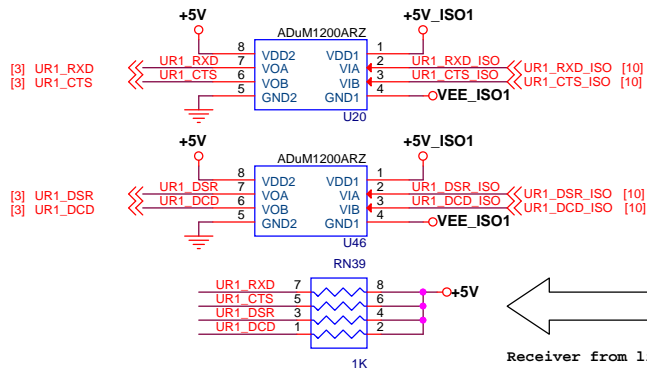


MOXA Moxa Systems Co., Ltd.			
Design Name		Schematic Function Name	
<Title>		LAN Connector	
PCB Part No.		品名規格	
<PCB Part No>		EM-2260-DK	
Department	Author	Version	Size
System	Abel	1.2	Custom
Date	Monday, August 26, 2013	Sheet	7 of 17

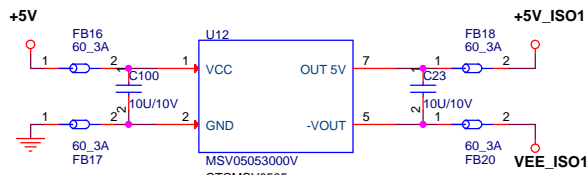
UART 1 Isolation



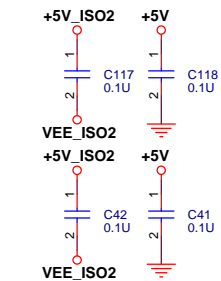
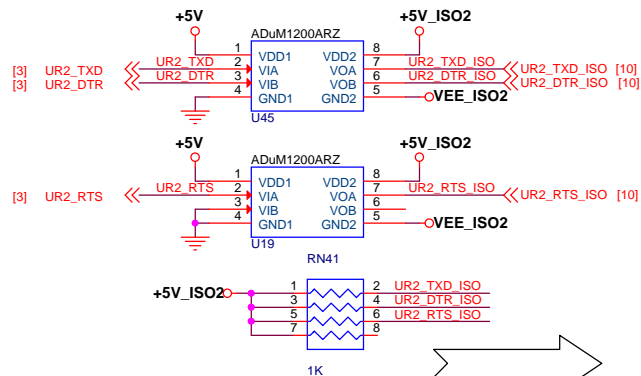
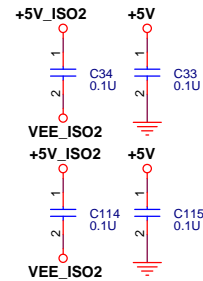
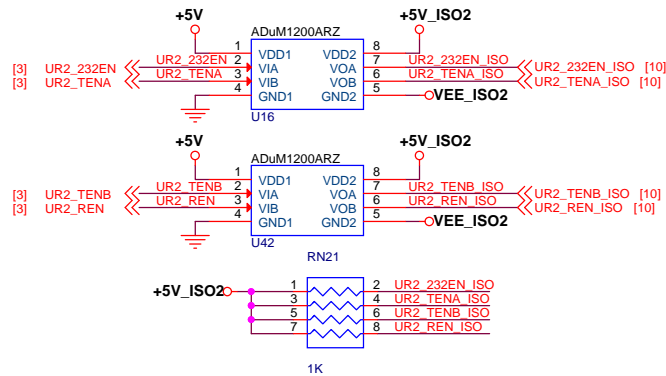
Transmitter to line driver



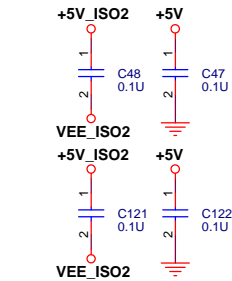
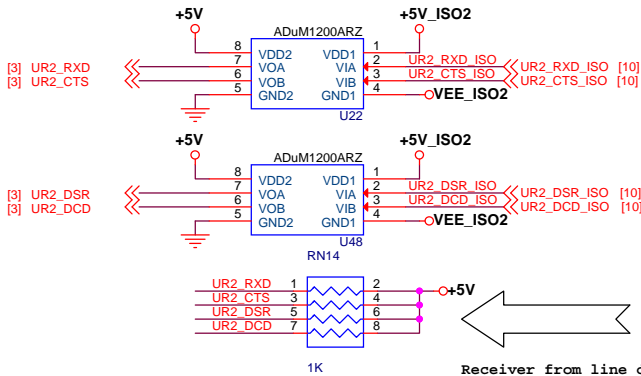
Receiver from line driver



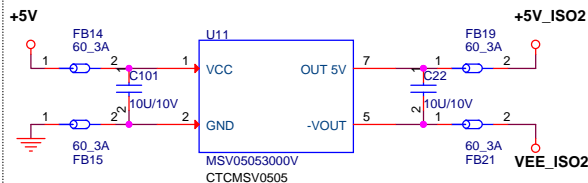
UART 2 Isolation



Transmitter to line driver

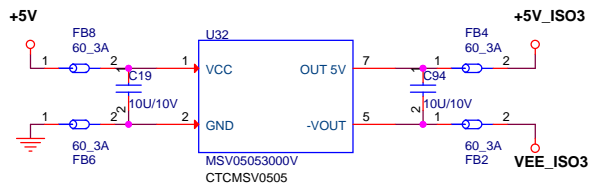
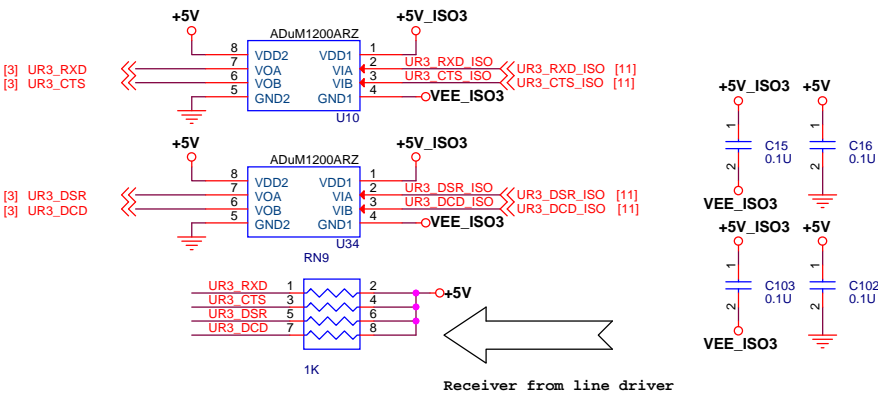
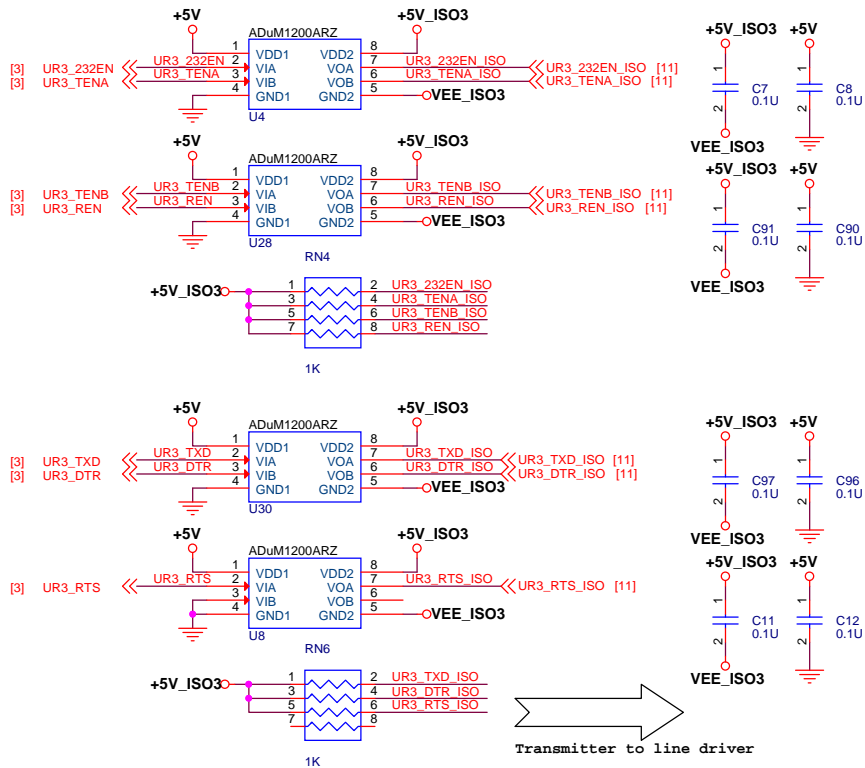


Receiver from line driver

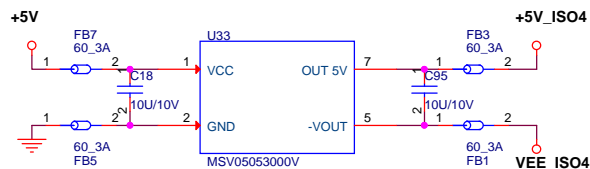
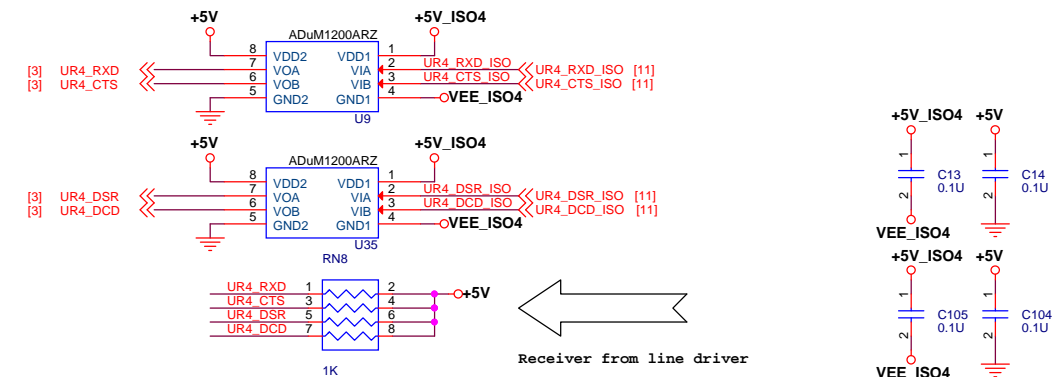
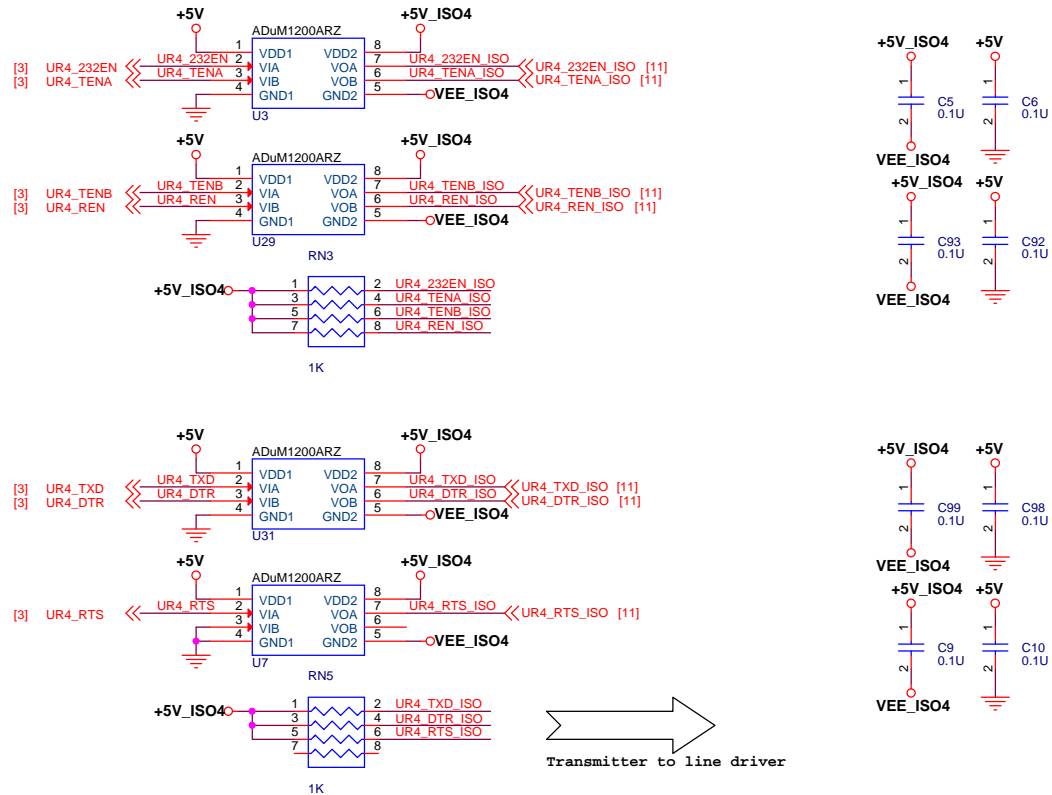


MOXA Moxa Systems Co., Ltd.		Schematic Function Name	
Design Name		UART Isolation PORT 1,2	
PCB Part No.		品名規格	
<Title>		EM-2260-DK	
Department	Author	Version	Size
System	Abel	1.2	Custom
Date	Monday, August 26, 2013	Sheet	8 of 17

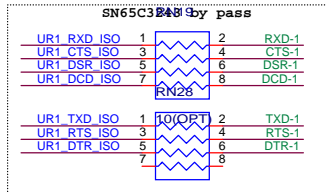
UART 3 Isolation



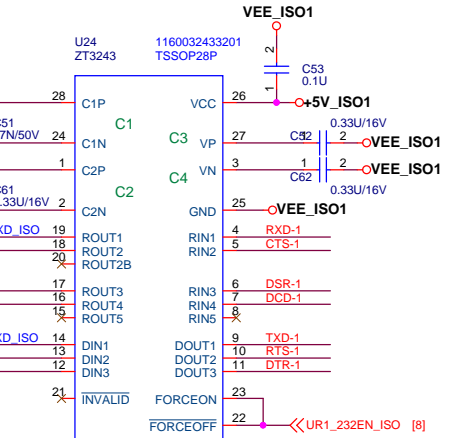
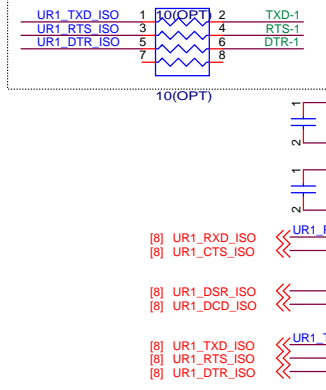
UART 4 Isolation



MOXA Moxa Systems Co., Ltd.		Schematic Function Name	
Design Name		UART Isolation PORT 3,4	
PCB Part No.		品名規格	
<Title>		EM-2260-DK	
Department	Author	Version	Size
System	Abel	1.2	Custom
Date	Monday, August 26, 2013	Sheet	9 of 17

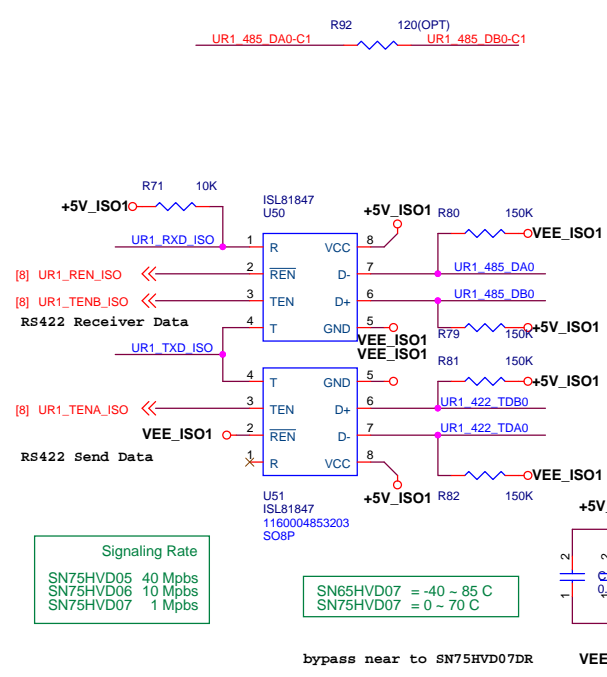


RS232 PORT 1



VCC	C1	C2, C3, C4
3.3 V	0.1 uF	0.1 uF
5 V	0.047 uF	0.33 uF
3.0 ~ 5.5 V	0.1 uF	0.47 uF

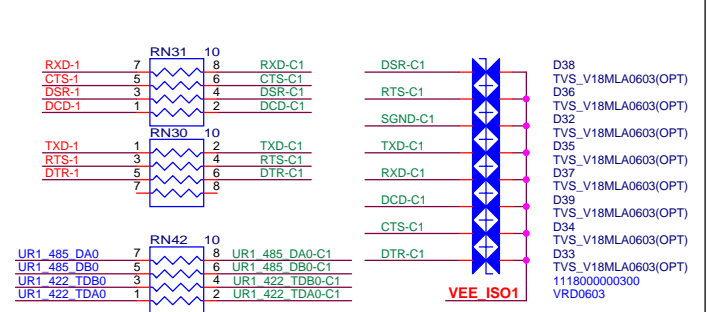
SN65C3243 = -40 ~ 85 C
SN75C3243 = 0 ~ 70 C



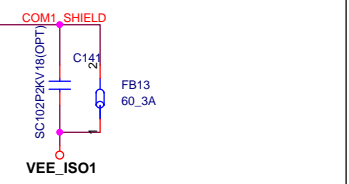
Signaling Rate
SN75HVD05 40 Mbps
SN75HVD06 10 Mbps
SN75HVD07 1 Mbps

SN65HVD07 = -40 ~ 85 C
SN75HVD07 = 0 ~ 70 C

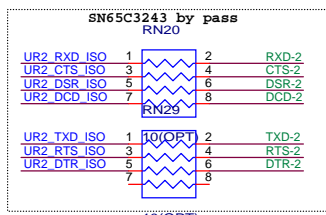
bypass near to SN75HVD07DR



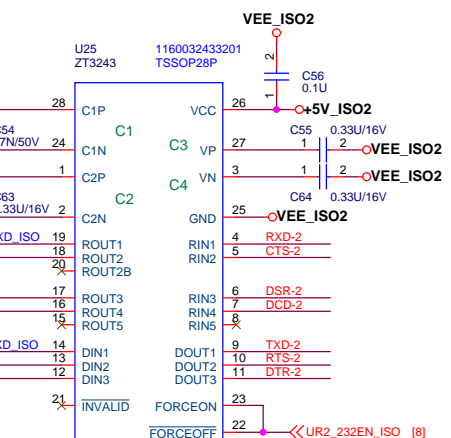
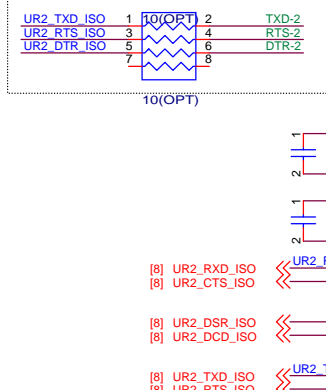
-55 ~ 125 C Pb Free
V_m (dc) = 18 V
I_{tm} (8/20us) = 30 A



Co-LAYOUT

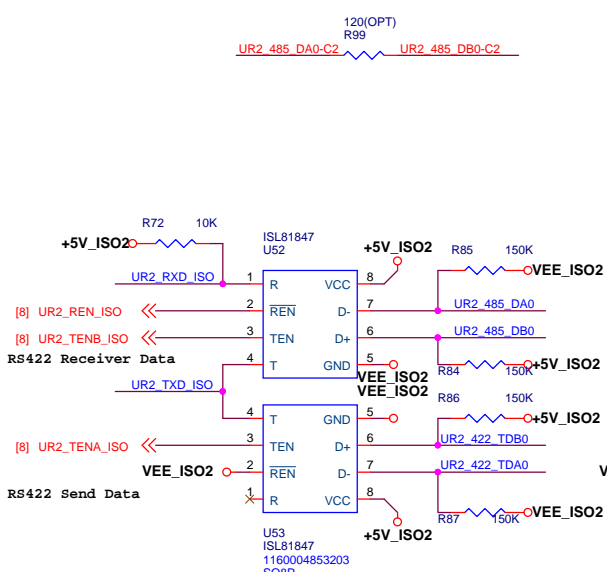


RS232 PORT 2



VCC	C1	C2, C3, C4
3.3 V	0.1 uF	0.1 uF
5 V	0.047 uF	0.33 uF
3.0 ~ 5.5 V	0.1 uF	0.47 uF

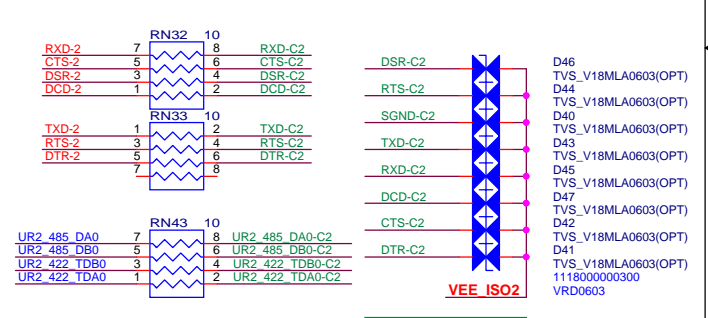
SN65C3243 = -40 ~ 85 C
SN75C3243 = 0 ~ 70 C



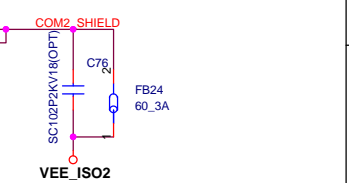
Signaling Rate
SN75HVD05 40 Mbps
SN75HVD06 10 Mbps
SN75HVD07 1 Mbps

SN65HVD07 = -40 ~ 85 C
SN75HVD07 = 0 ~ 70 C

bypass near to SN75HVD07DR

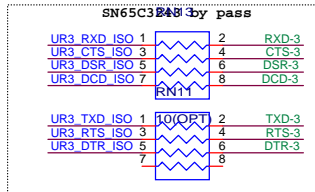


-55 ~ 125 C Pb Free
V_m (dc) = 18 V
I_{tm} (8/20us) = 30 A

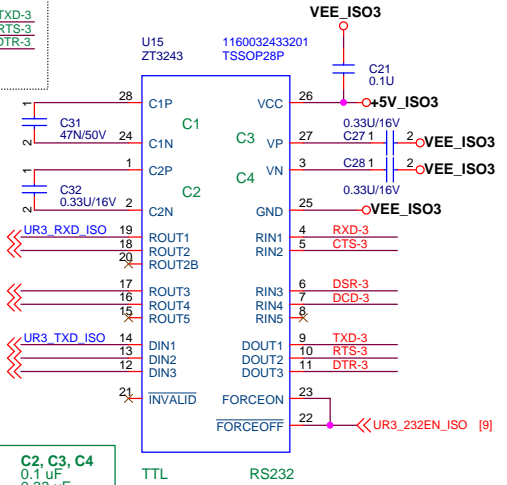


Co-LAYOUT

MOXA Moxa Systems Co., Ltd.			
Design Name	Schematic Function Name		
<Title>	RS232/422/485 Port 1,2		
PCB Part No.	品名規格		
<PCB Part No>	EM-2260-DK		
Department	Author	Version	Size
System	Abel	1.2	Custom
Date	Monday, August 26, 2013	Sheet	10 of 17

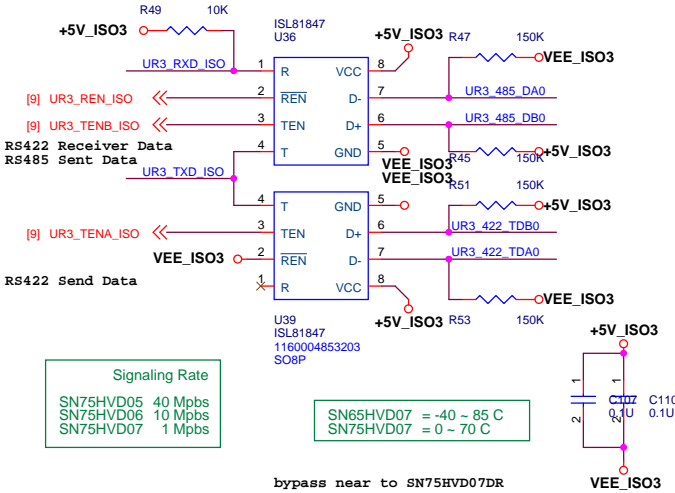


RS232 PORT 3



VCC	C1	C2, C3, C4
3.3 V	0.1 uF	0.1 uF
5 V	0.047 uF	0.33 uF
3.0 ~ 5.5 V	0.1 uF	0.47 uF

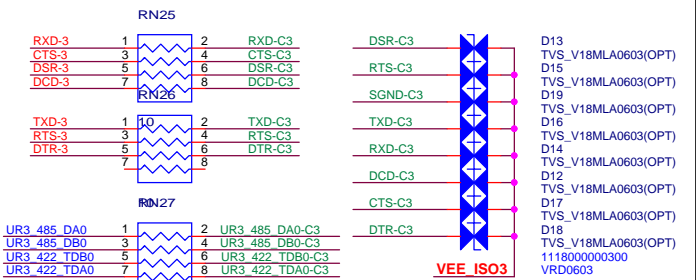
SN65C3243 = -40 ~ 85 C
SN75C3243 = 0 ~ 70 C



Signaling Rate
SN75HVD05 40 Mbps
SN75HVD06 10 Mbps
SN75HVD07 1 Mbps

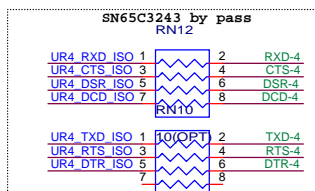
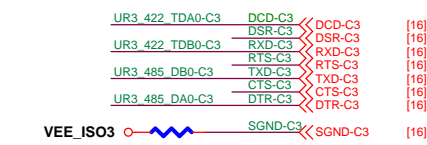
SN65HVD07 = -40 ~ 85 C
SN75HVD07 = 0 ~ 70 C

bypass near to SN75HVD07DR

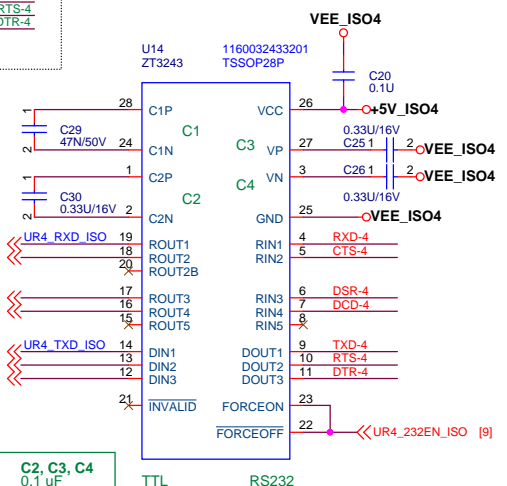


-55 ~ 125 C Pb Free
V_m (dc) = 18 V
I_{tm} (8/20us) = 30 A

[ESD] Transient Voltage Surge Suppressors

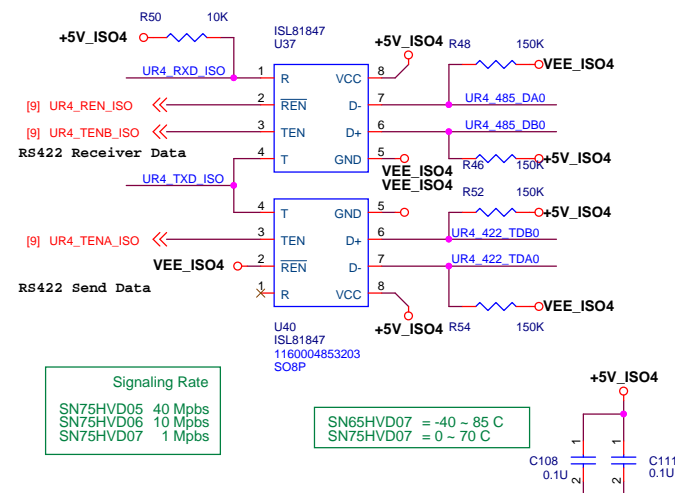


RS232 PORT 4



VCC	C1	C2, C3, C4
3.3 V	0.1 uF	0.1 uF
5 V	0.047 uF	0.33 uF
3.0 ~ 5.5 V	0.1 uF	0.47 uF

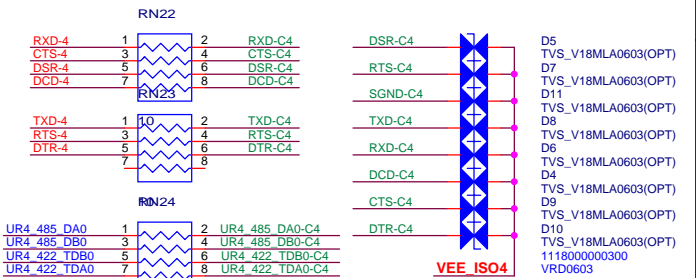
SN65C3243 = -40 ~ 85 C
SN75C3243 = 0 ~ 70 C



Signaling Rate
SN75HVD05 40 Mbps
SN75HVD06 10 Mbps
SN75HVD07 1 Mbps

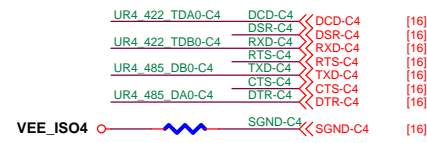
SN65HVD07 = -40 ~ 85 C
SN75HVD07 = 0 ~ 70 C

bypass near to SN75HVD07DR



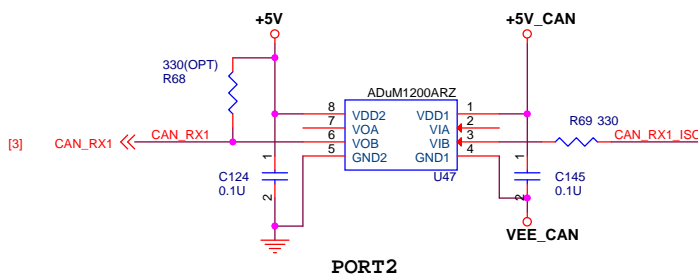
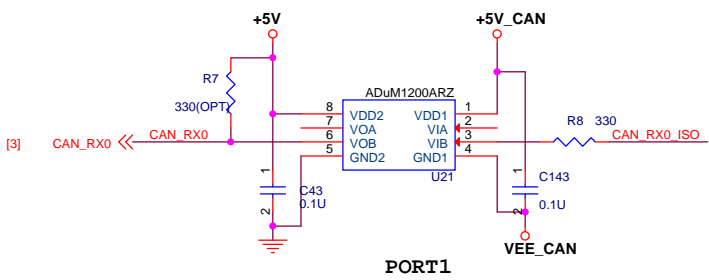
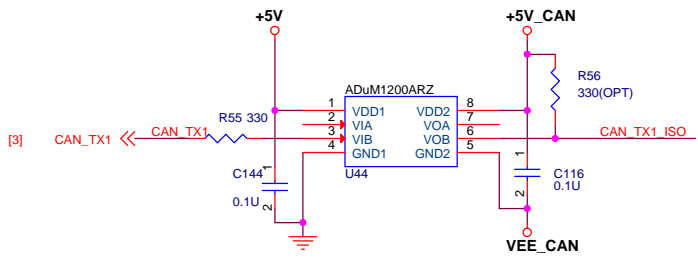
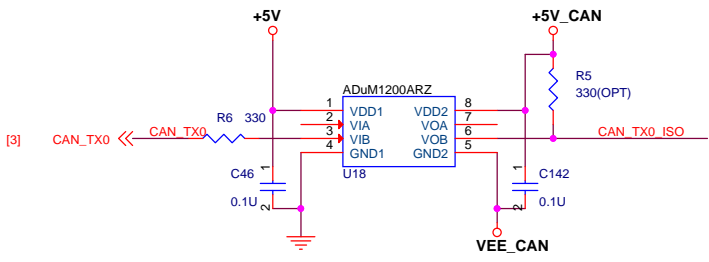
-55 ~ 125 C Pb Free
V_m (dc) = 18 V
I_{tm} (8/20us) = 30 A

[ESD] Transient Voltage Surge Suppressors



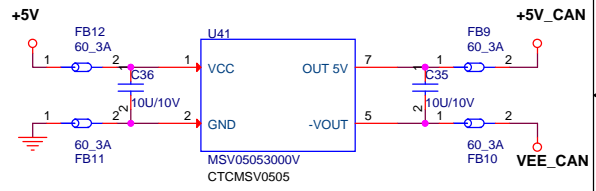
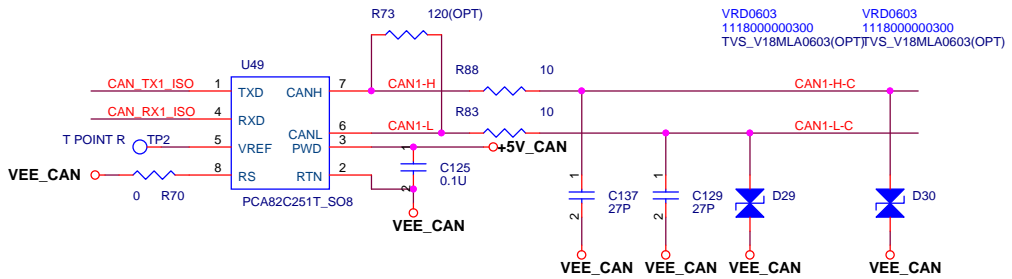
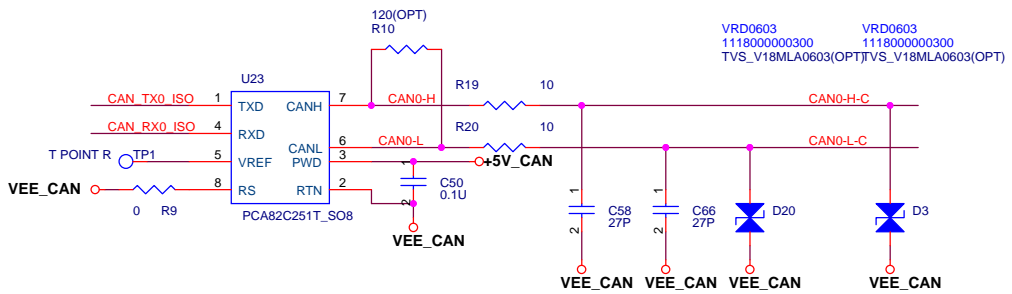
MOXA Moxa Systems Co., Ltd.			
Design Name	Schematic Function Name		
<Title>	RS232/422/485 Port 1,2		
PCB Part No.	品名規格		
<PCB Part No>	EM-2260-DK		
Department	Author	Version	Size
System	Abel	1.2	Custom
Date	Monday, August 26, 2013	Sheet	11 of 17

CAN_Line Driver



06-08-'07

Isolation



CAN Port 1

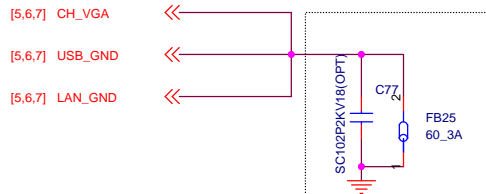


CAN Port 2



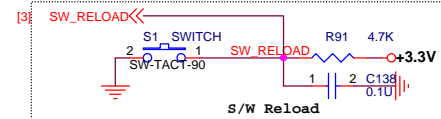
CAN Line Driver

MOXA Moxa Systems Co., Ltd.			
Design Name	Schematic Function Name		
<Title>	CAN Line Driver		
PCB Part No.	品名規格		
<PCB Part No>	EM-2260-DK		
Department	Author	Version	Size
System	Abel	1.2	Custom
Date	Monday, August 26, 2013	Sheet	12 of 17



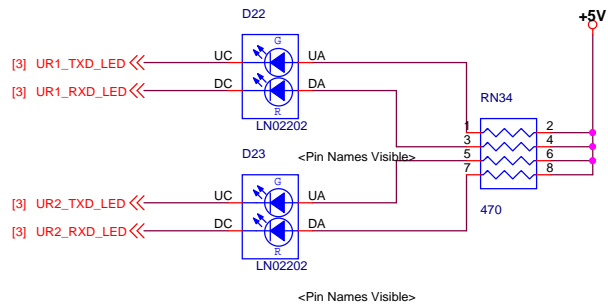
Co-Layout

VGA/USB/LAN Connector shielding Gnd

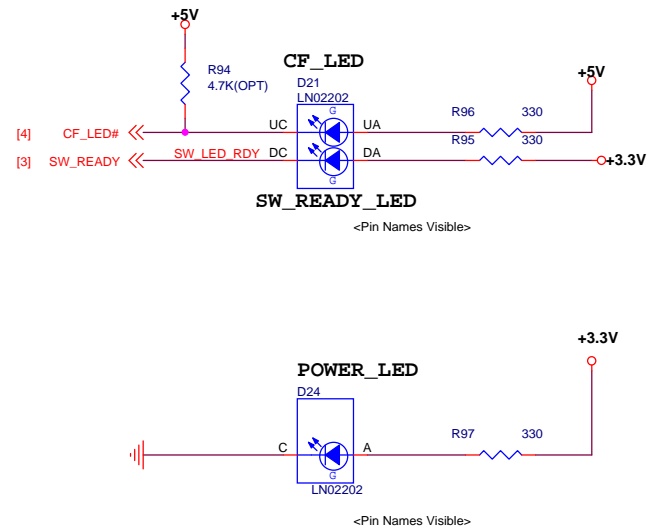


S/W Reload

Green LED Indicator TXD

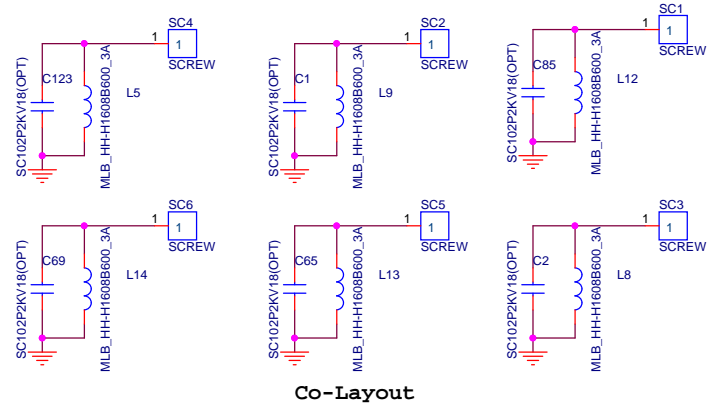
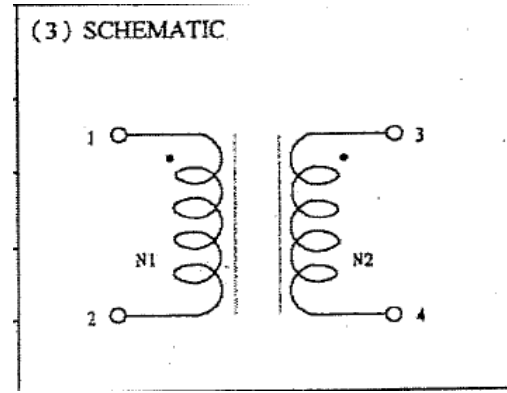
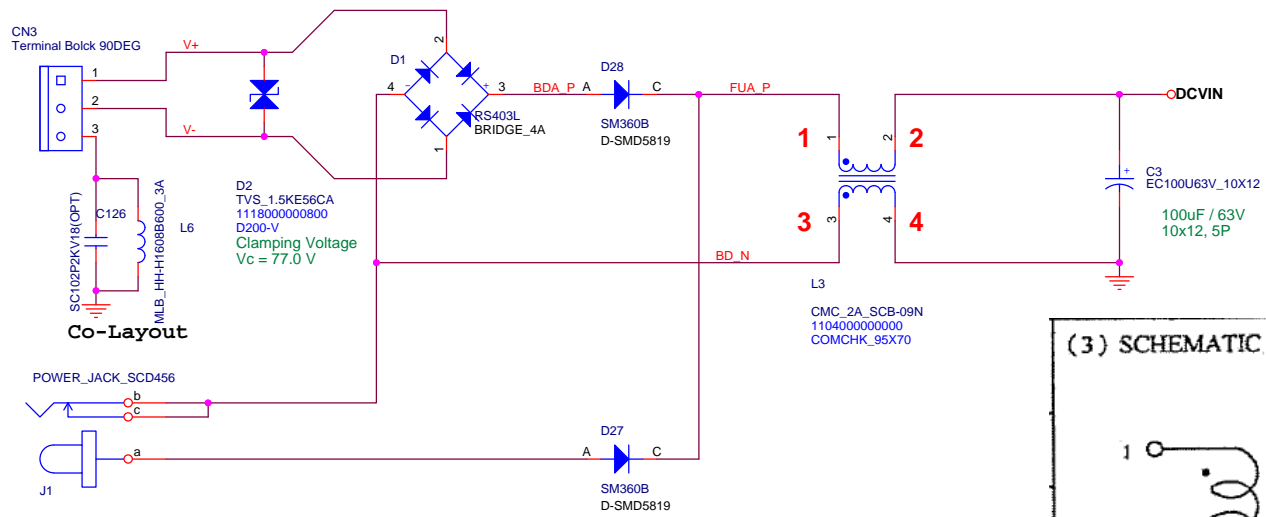


LED Indicator



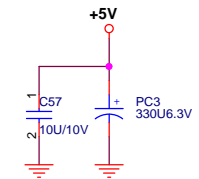
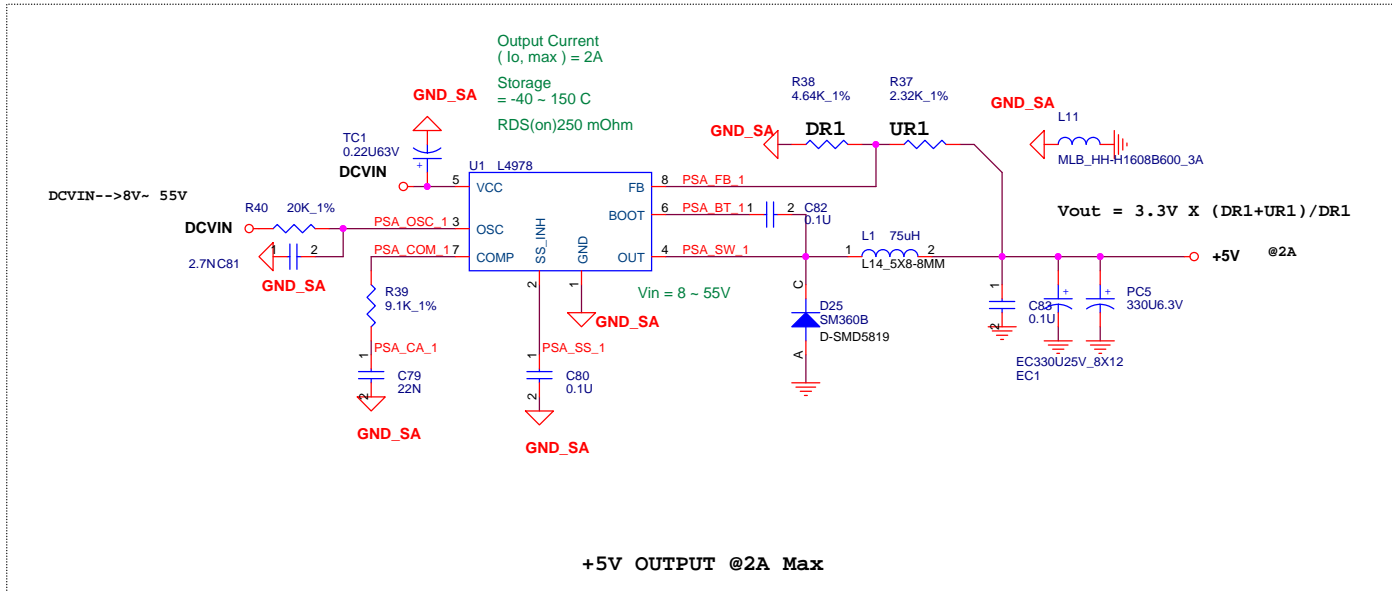
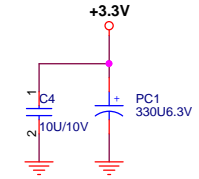
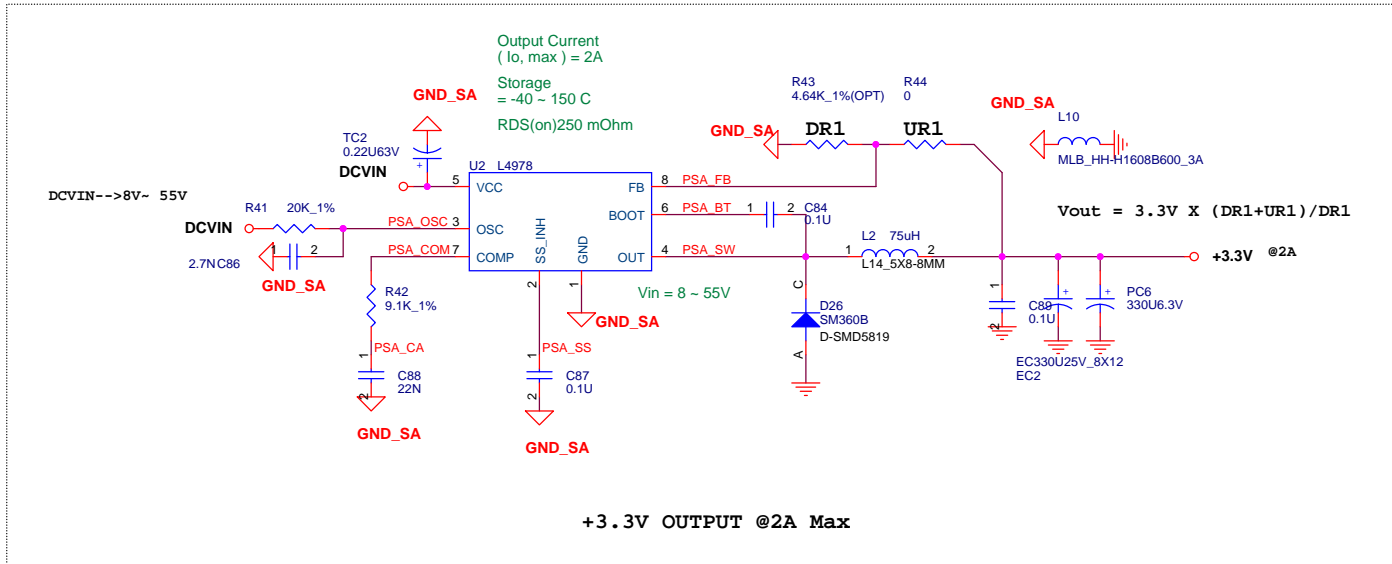
MOXA Moxa Systems Co., Ltd.			
Design Name	Schematic Function Name		
<Title>	LED Indicator		
PCB Part No.	品名規格		
<PCB Part No>	EM-2260-DK		
Department	Author	Version	Size
System	Abel	V1.2	Custom
Date	Monday, August 26, 2013	Sheet	13 of 17

DC INPUT 12V~48V



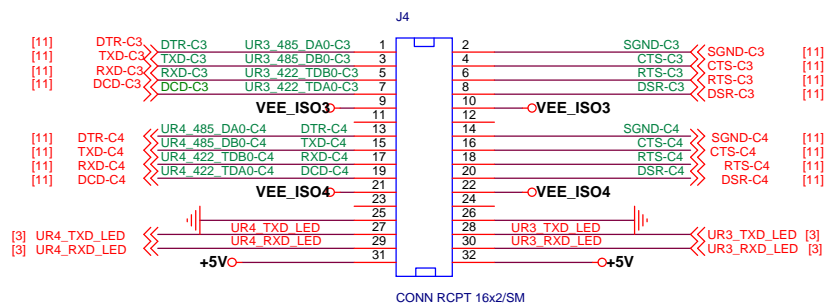
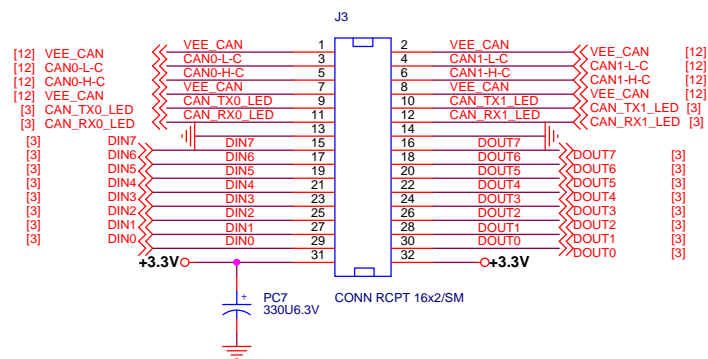
MOXA Moxa Systems Co., Ltd.			
Design Name		Schematic Function Name	
<Title>		DC INPUT	
PCB Part No.		品名規格	
<PCB Part No>		EM-2260-DK	
Department	Author	Version	Size
System	Abel	V1.2	Custom
Date	Monday, August 26, 2013	Sheet	14 of 17

DC-DC POWER OUTPUT



MOXA Moxa Systems Co., Ltd.			
Design Name		Schematic Function Name	
<Title>		DC-DC 5V/3.3V OUTPUT	
PCB Part No.		品名規格	
<PCB Part No>		EM-2260-DK	
Department	Author	Version	Size
System	Abel	1.2	Custom
Date	Monday, August 26, 2013	Sheet	15 of 17

Connector to CAN/UART/DIO Board



MOXA Moxa Systems Co., Ltd.		Schematic Function Name	
<Title>		Connector to CAN/UART/DIO Board	
PCB Part No.		品名規格	
<PCB Part No>		EM-2260-DK	
Department	Author	Version	Size
System	Abel	V1.2	Custom
Date	Monday, August 26, 2013	Sheet	16 of 17